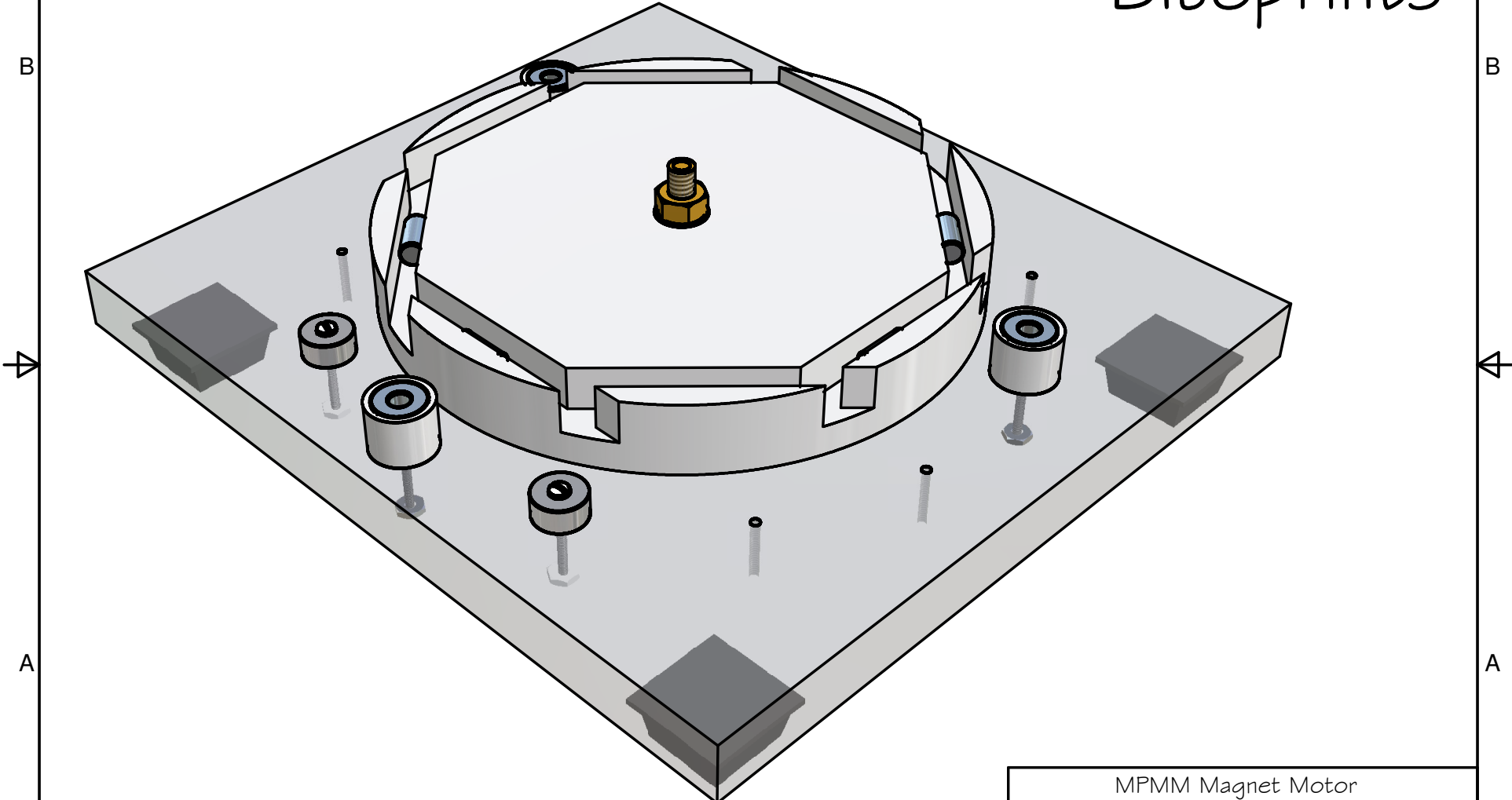


OC MPMM Replication Blueprints



MPMM Magnet Motor	
Job No: 08-001	Julian Date: 2454474.190972
Drawn By: Jason Owens	Dwg. 1 of 5

2

1

B

B

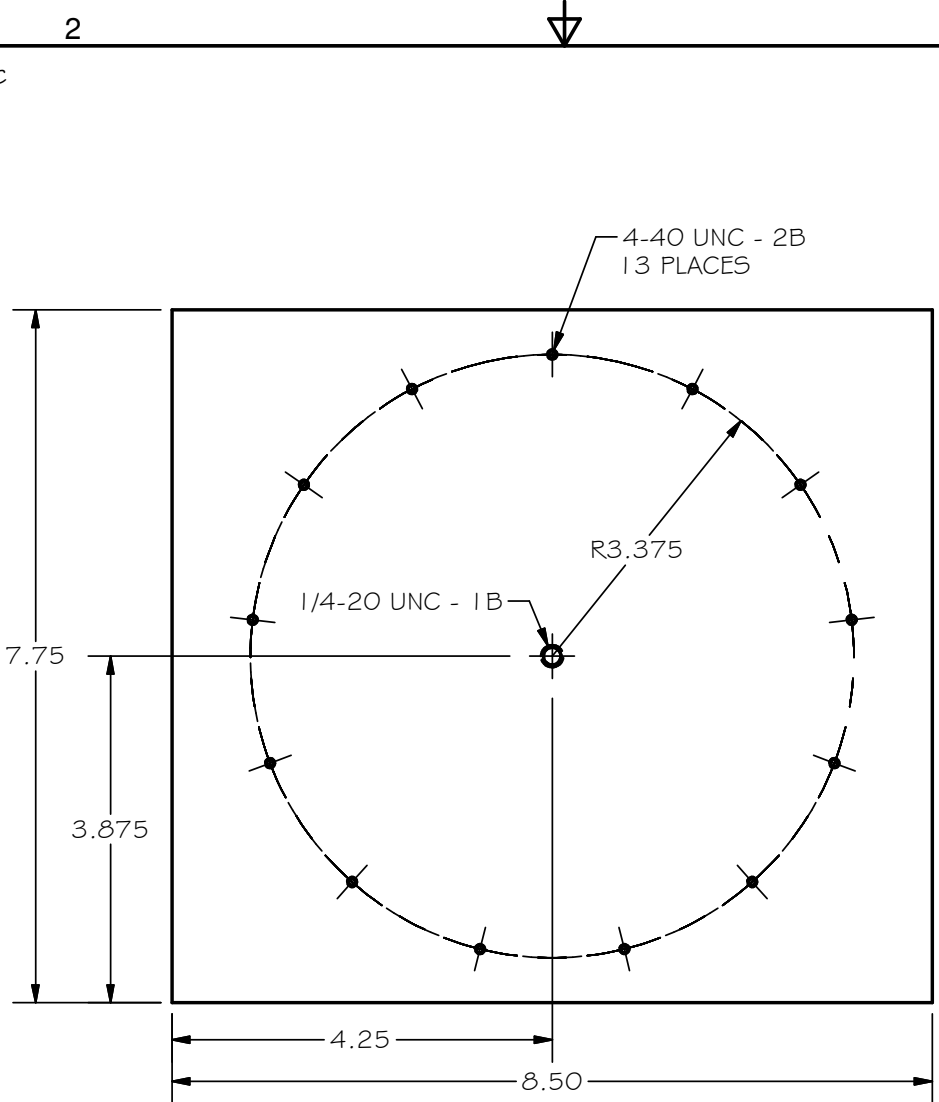
A

A

2

1

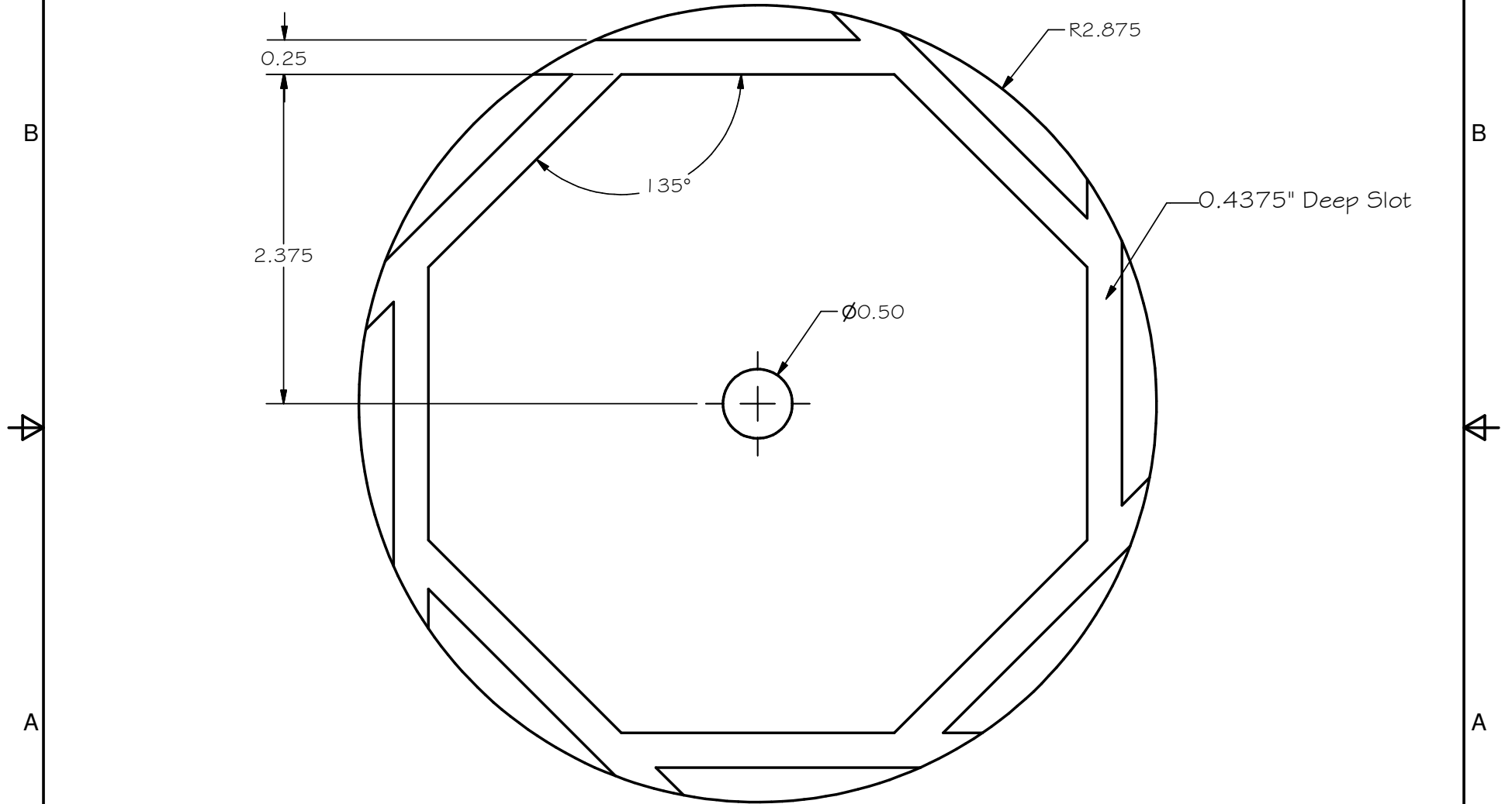
Material: 5/8" thk Acrylic



SCALE 1 / 2

MPMM Magnet Motor	
Job No: 08-001	Julian Date: 2454474.190972
Drawn By: Jason Owens	Dwg. 2 of 5

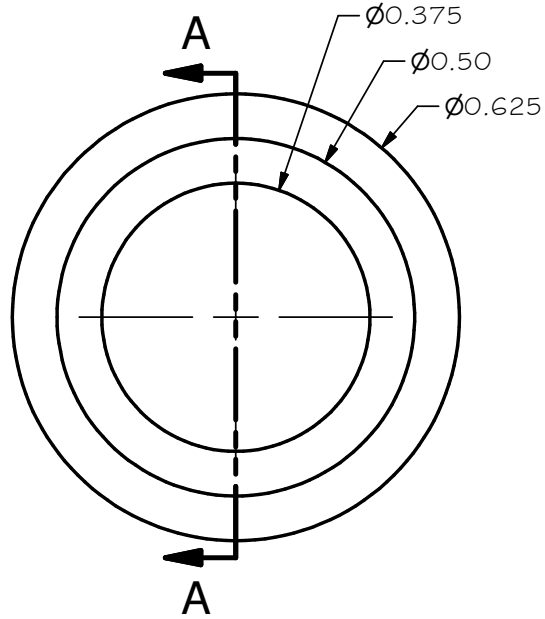
Material: 3/4" thick HDPE.
Magnets: K&J Magnetics D48 (8 total)



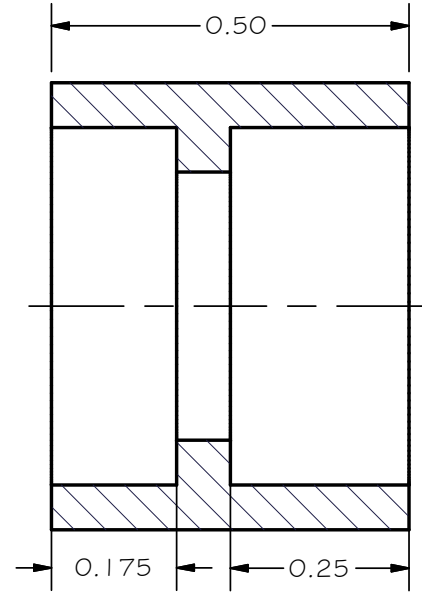
SCALE 1 : 1

MPMM Magnet Motor	
Job No: 08-001	Julian Date: 2454474.190972
Rotor Disk	
Drawn By: Jason Owens	Dwg. 3 of 5

Material: Delrin Rod
 Magnet: K&J Magnetics R834DIA
 Bearing: 1/2" x 3/16" x 1/8"

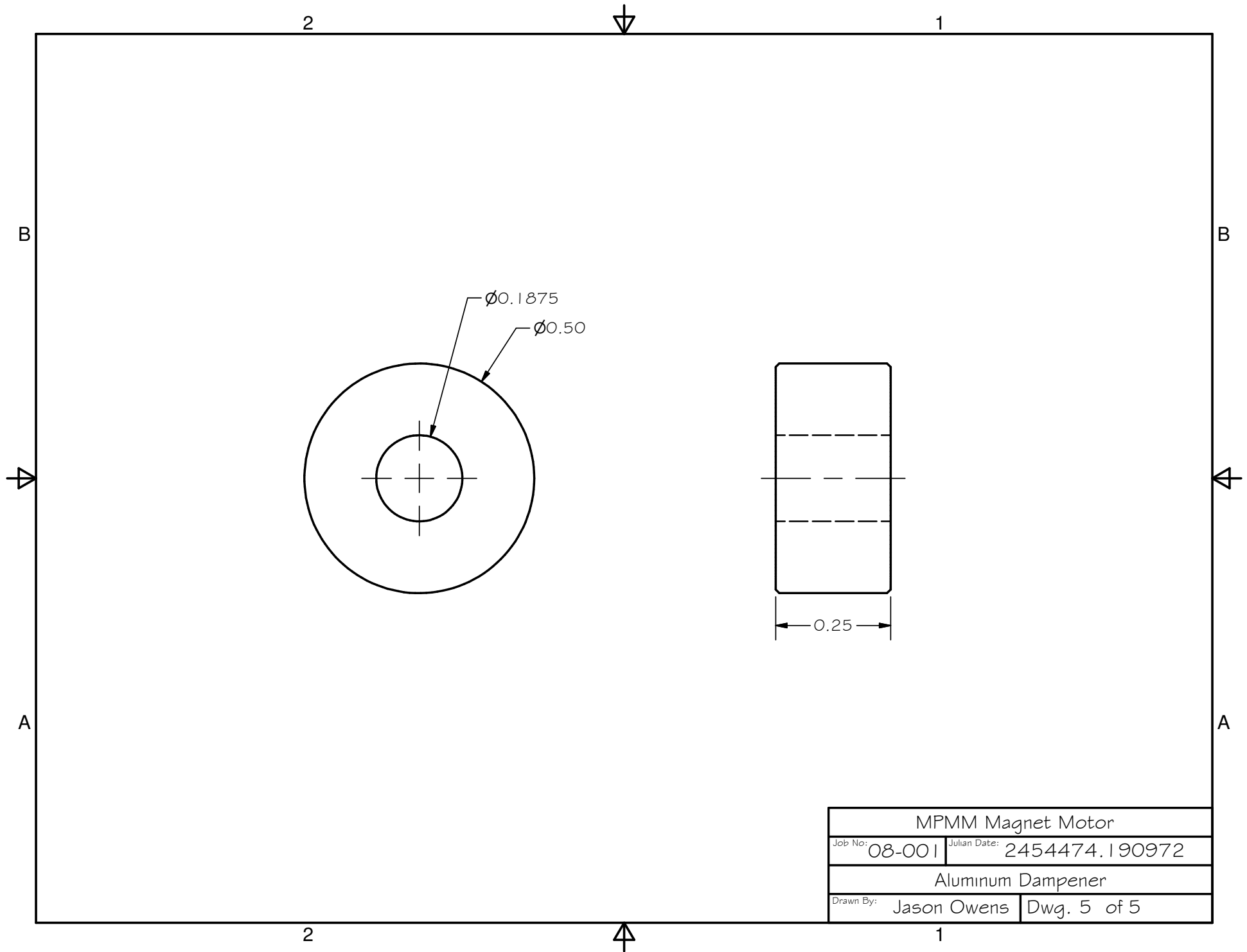


SCALE 4 : 1



SECTION A-A

MPMM Magnet Motor	
Job No: 08-001	Julian Date: 2454474.190972
Stator Holder	
Drawn By: Jason Owens	Dwg. 4 of 5



MPMM Magnet Motor	
Job No: 08-001	Julian Date: 2454474.190972
Aluminum Dampener	
Drawn By: Jason Owens	Dwg. 5 of 5